



UNIVERSITY OF
ILLINOIS
URBANA-CHAMPAIGN

ECE 198 JS (James Scholar)

Electrical & Computer Engineering

Lecture 3

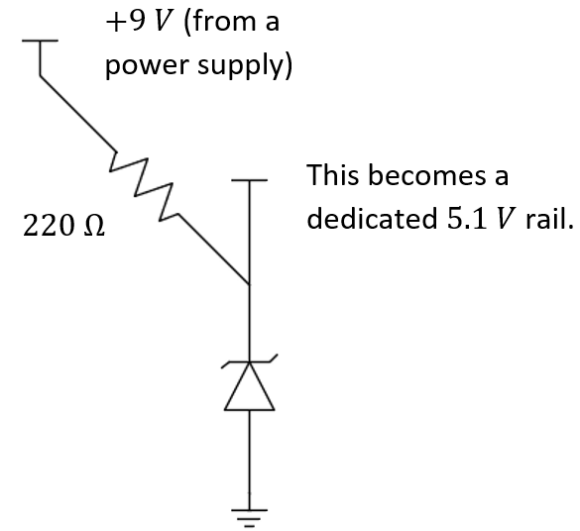
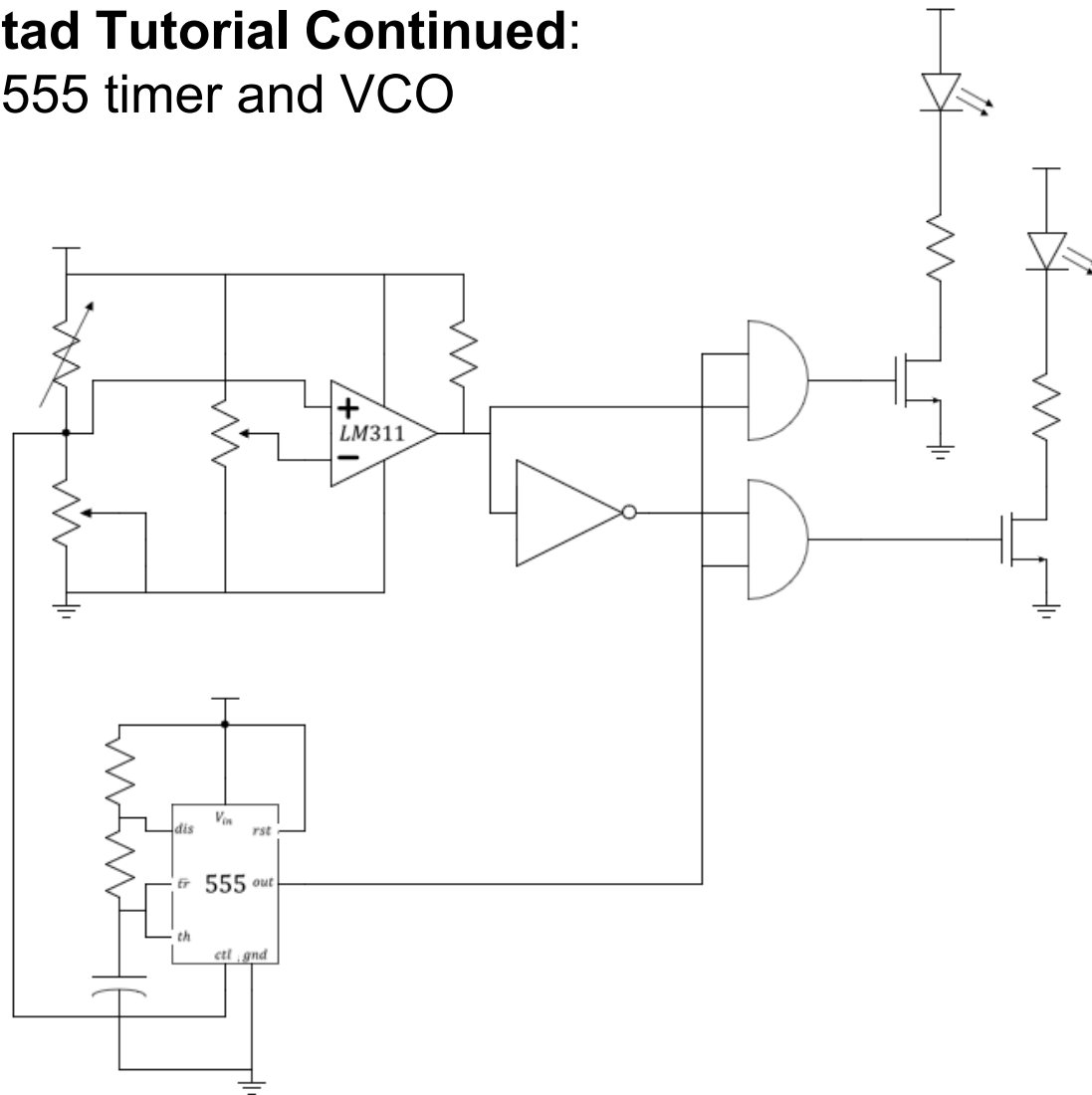
Attendance Form

Sign in with this QR Code.

Comment: If you must miss lab, let the staff know in advance. If you are late to lab, consult with a staff member before adding your information to the attendance data. Falsifying your attendance is an academic integrity violation.



Falstad Tutorial Continued: The 555 timer and VCO



Using a Zener diode to convert 9 volts to 5 volts.

Journal your progress. Keep record of answers to questions, pictures of oscilloscope, etc. What you did this week and what you plan to do next week.



... > Student Work > JS1 ▾ 👤

Type ▾ People ▾ Modified ▾

Name ↓

📁 Wireless Volume Modifier

📁 Ultrasonic Range Sensor

📁 Speedometer with display

📁 Secret Knock

📁 Pinhole Player

📁 MetalMatic Scout

<https://drive.google.com/drive/folders/1ByYRUeCCiIVprLFbFus41rjWzNmR59ZN?usp=sharing>

If you are unsure of the feedback provided or the best path forward, immediately discuss with a staff member!

Project Proposals

Draft Proposal

I have tried to provide feedback on every project. They meet one of the following criteria:

- Good to move forward with an Updated Draft Proposal (next slide)
- Good only after following some revisions (see Staff for clarification)
- Rejected as-is. Wrong scope for the course, perhaps too difficult without a clear means of simplifying or too reliant on a software/ μ Processor solution (see Staff or Schmitz)

Project Proposals

Updated Draft Proposal

- Title, Names, netIDs ➤ For each, specify ECE 110 or ECE 120
- Abstract ➤ State your objective clearly in one paragraph
- Background Information ➤ Details from resources that will help
- Project Outline ➤ Flow Chart and Circuit Schematic
- Planned Timeline & Milestones ➤ Based on research, challenges
- Parts List ➤ What you would need to get through first few weeks
- References ➤ Four or more references

We are now looking for a mostly-complete proposal, although there will be one more iteration before grading.



Next Week...

- Final Proposal Due on Google Drive (in your own folder!)